

### Product Overview

These drivers based on quartz oscillators, produce a fixed stable and accurate RF frequency signal. The built in amplifier delivers the necessary RF power to drive an air cooled Q-switch up to 20 W. The RF output power can be externally modulated with a TTL and an analog 0-5V signal. Standard output power is up to 20W, but can be reduced on request. Standard power supply is 24VDC.



### Features

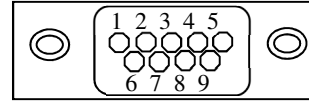
- Fixed frequency 27.12, 40.68, 68 and 80 MHz
- RF power up to 20 Watts
- TTL + Analog controls
- RoHS



	Units	Specifications
Carrier Frequency	MHz	27.12 / 40.68 / 68 / 80
Frequency Stability	ppm/°C	Nom +/- 1
Frequency Accuracy	ppm	< 50
Output RF Power (@1dB compression)	W	≥ 20
Power Supply OEM version	VDC	24 +/- 0.5 <2.9 A Option: 15VDC <3.3A
Digital Control (Pin 3)		TTL / 1 kΩ Pull down (DPC 1 = RF ON)
Analog Control (Pin 8)		0-5 V / 10 kΩ, 5V= RF HIGH LEVEL Control (FAC)
Rise Time/Fall time (10-90%)	ns	Nom 25 (<50)
Class		AB
Output Impedance	Ω	50
VSWR		< 1.5/1
Extinction Ratio	dB	nom 45 (>40)
Input Connector		DB9
Output Connector		SMAf
Size / Weight		129 x 61 x 53.8 mm3 / 520 g
Heat Exchange		Conduction through baseplate for OEM versions + top heatsink
Operating Temperature	°C	10 to 40 (max Tcase 55°C)
Storage Temperature	°C	-40 to +85

### PIN Connections

- Pin 1,2,6: GND
- Pin 4,5,9: +VDC
- Pin 3: Digital Input (TTL)
- Pin 7: Analog Input PAC (RF OFF LEVEL)
- Pin 8: Analog Input FAC



### DETERMINE YOUR MODEL REFERENCE

#### QMODP040.68-B5R-43-WHK

##### CARRIER FREQUENCY

- **27.12** 27.12 MHz
- **40.68** 40.68 MHz
- **68** 68 MHz
- **80** 80 MHz

##### POWER SUPPLY

- **B** 24 VDC
- **A** 15 VDC

##### DPC CONTROL

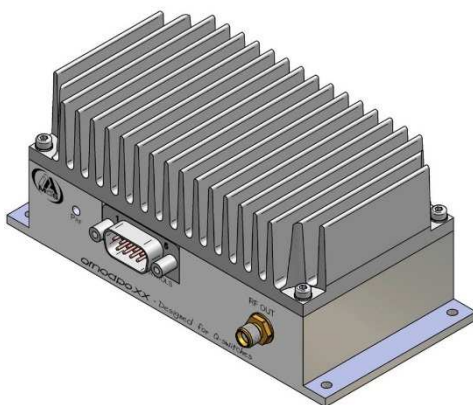
- **(-)** TTL/ 1 Kohms
- **5R** TTL Reversed/1 Kohms

##### HEATSINK

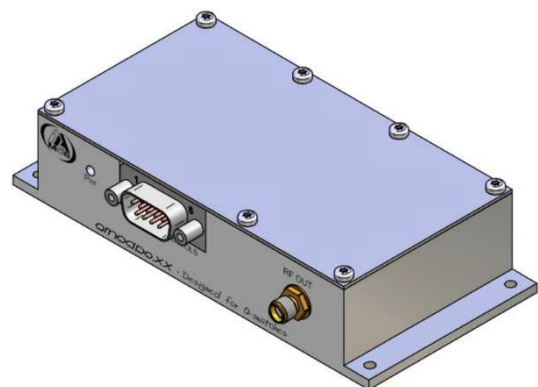
- **(-)** Including Heatsink
- **WHK** Without Heatsink

##### MAX RF POWER

- **40** 10 Watts
- **42** 15 Watts
- **43** 20 Watts

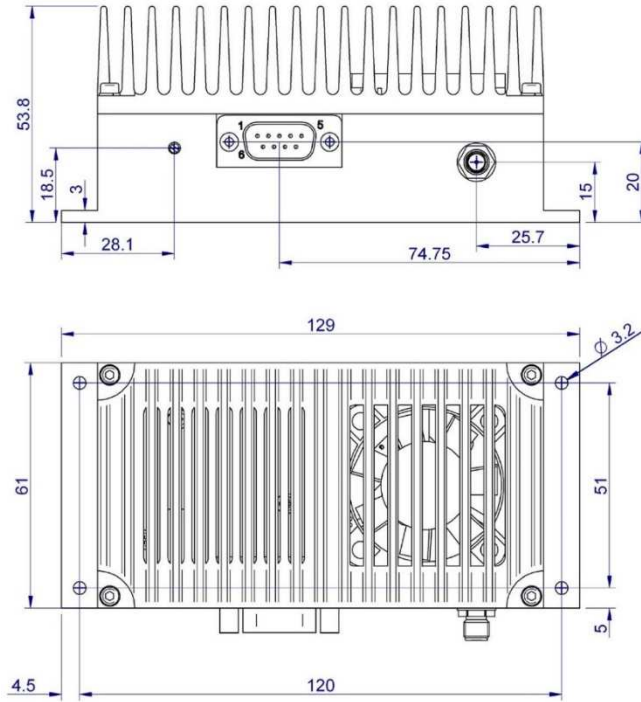


Standard Version with top heatsink

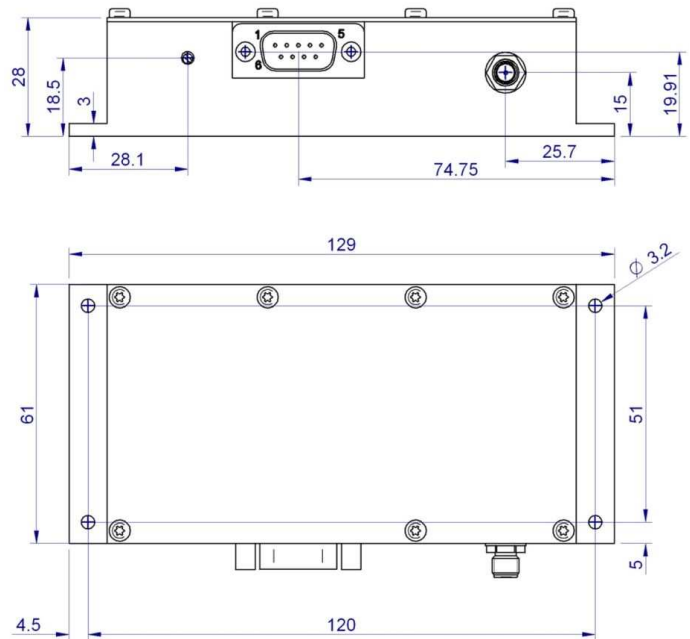


-WHK version – without top heatsink

**MECHANICAL DRAWINGS (mm)**



QMODP0xx OEM  
version up to 20W



QMODP0xx-WHK OEM  
version up to 20W  
(without top heatsink)