

Product Overview

Based on TeO₂, these modulators/shifters use the slow shear mode interaction and hence one can benefit from its large active aperture, large separation angle, high diffraction efficiency as well as the low RF power consumption. Common applications include bio photonics, interferometry and many others.

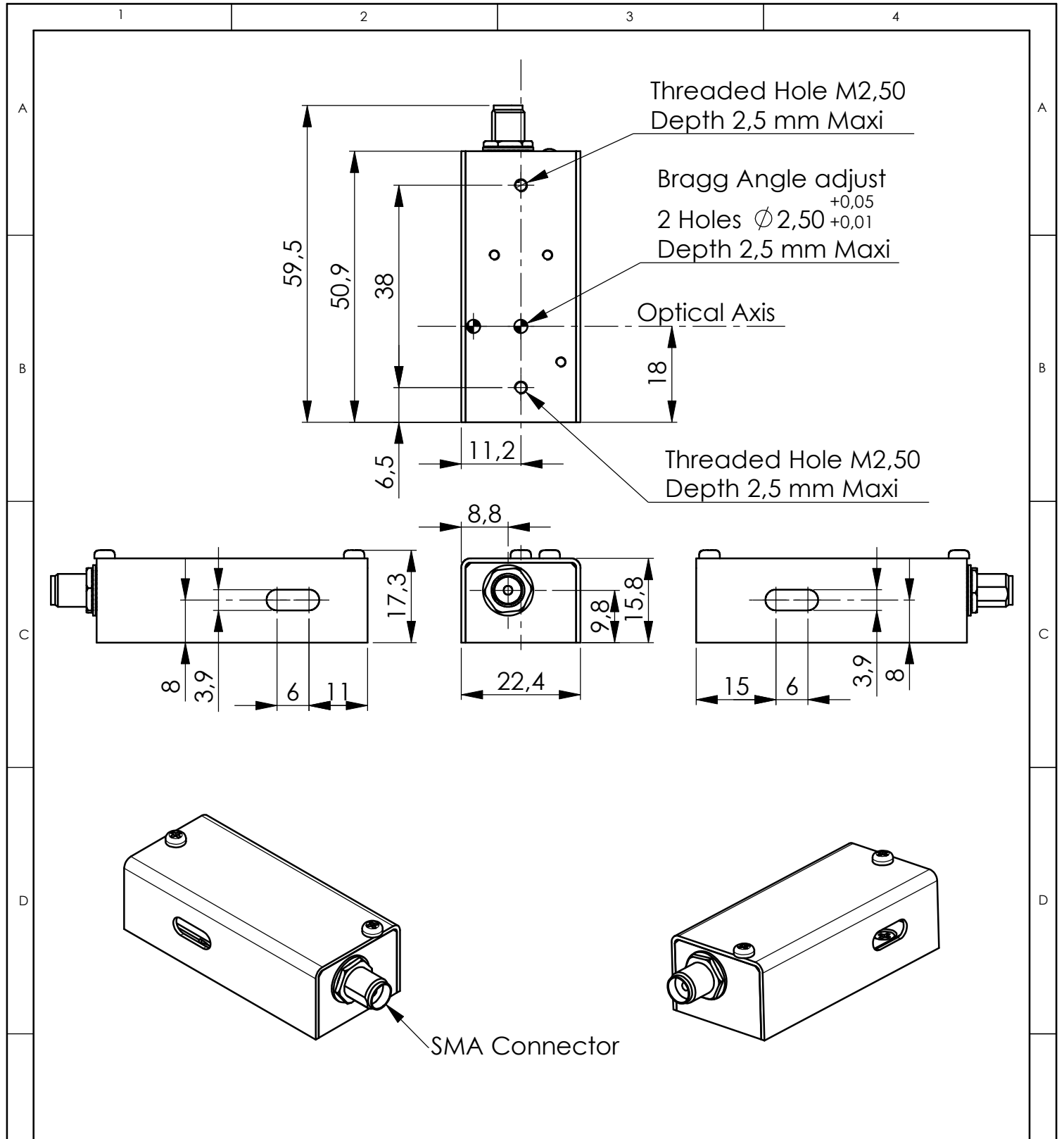



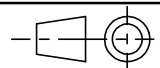
Features

- Large active aperture & separation angle.
- Linear polarization.
- High diffraction efficiency.
- Low RF power consumption.

	Units	Min	Nom	Max
Material-Acoustic mode-Velocity		TeO ₂ [S] – 650 m/s		
Optical Wavelength range (AR coated) (λ)	nm	532	-	700
Carrier Frequency / Frequency shift	MHz	+/-40		
Transmission	%	95	98	-
Input / Output Polarization		Linear/Polarization flip 90°		
Active Aperture	mm ²	2 x 2		
Beam diameter (1/e ²)(φ)	mm	0.6		2
Rise/fall time (T _r)	μs	0.6		2
Analog Amplitude Modulation Bandwidth (-3dB) (F _{-3dB})	kHz			800
Separation Angle (0-1)	mrd	32.7		43
Static Extinction Ratio	dB	30		
Diffraction Efficiency (η)	%	85	90	
Max optical power density	W/mm ²		5	
Input impedance	Ω		50	
V.S.W.R.			< 1.2:1	
RF Power (P)	W			0.5
Connector		SMA female		
Size	mm ³	50.9 x 22.4 x 17.3		
Weight	g		50	
Packaging		IN PRO 050		
Operating Temperature (non condensing)	°C	+10	+25	+40
Storage Temperature (non condensing)	°C	-40		+65
RoHS Compliance			Yes	

$$T_r = 0.66 \frac{\phi}{V} * F_{-3dB} = \frac{0.48}{T_r} * \Delta\theta = \frac{\lambda F}{V} * \frac{P_1}{P_2} = \frac{\lambda_1}{\lambda_2}$$



B	31/01/07	E.D	Mise en page
A	28/03/06	A.A	Plan initial / Initial Drawing
Index	Date	Auteur Author	Modifications
Conception Design	E.D	PLAN D'INTERFACE / OUTLINE DRAWING Référence / Reference IN-PRO-050	
Vérification Checking	L.F		
Tolérance Tolerance	ISO 2768mK		
Echelle Scale	1:1	 OPTO-ELECTRONIC A.A. SA OPTO-ELECTRONIQUE DIVISION 18, rue Nicolas Appert F-91898 ORSAY tel : 08 11 09 76 76 fax : 01 76 91 50 31	
	Format A4	Ce document est la propriété de A.A.SA. Il est strictement interdit de reproduire ce document ou une partie sans l'autorisation de A.A.SA. This document is the property of A.A.SA. It is strictly prohibited to reproduce this document or a part without the authorization of A.A.SA.	
1	2	3	4

Folio / Sheet	Indice / Index
1/1	B