

## Product Overview

These fiber pigtailed devices are meant to be used for a single wavelength within their range of operation [780-870 nm]. They can be used for intensity modulation, fixed or variable frequency shifting, pulse picking or q-switching. AA offers a complete range with different carrier frequencies, different rise times, input optical power. Moreover, in order to meet most requirements, user can select the fiber type, fiber jacket and fiber connectors among the proposed ones.

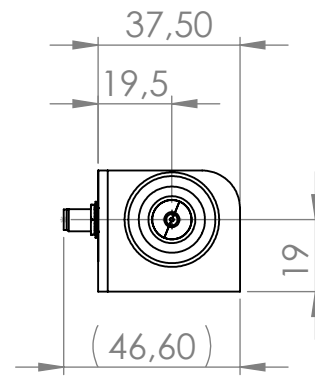
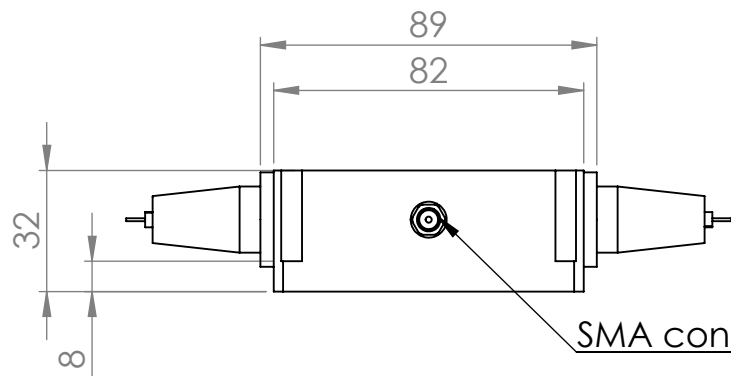
## Features

- High speed
- High extinction ratio
- Robust and versatile.

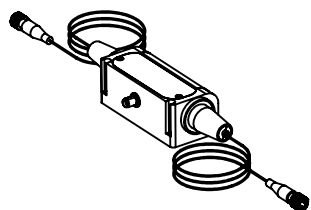
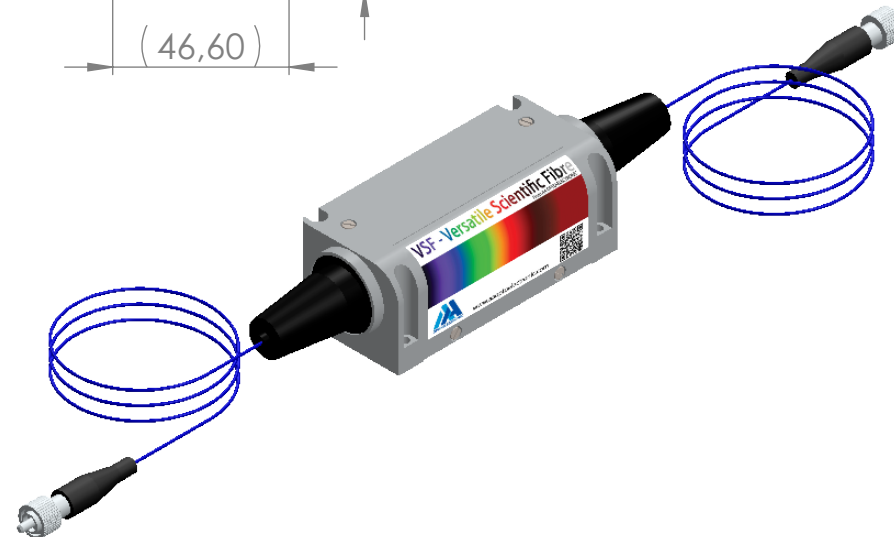
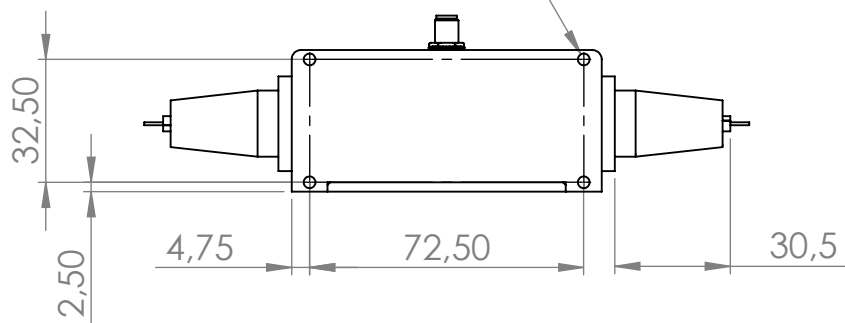



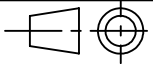
Parameters	MT80-NIR60-Fio-xx	MT110-NIR20-Fio-xx	MT200-NIR10-Fio-xx	MT250-NIR6-Fio-xx
Material	TeO2 - [L]			
Optical Wavelength	Any in [780 to 870] nm			
IL, Insertion Losses	Nom 2 dB, < 3 dB	Nom 2.5 dB, < 3.5 dB	Nom 3 dB, < 5 dB	Nom 4 dB, < 6 dB
Input / Output Polarization	Linear (PM fibres), Random (SM fibres)			
PDL, Polarization Dependence Losses	< 0.5 dB			
Carrier frequency / Frequency shift	+80 or -80 MHz	+110 or -110 MHz	+200 or -200 MHz	+250 or -250 MHz
Static Extinction Ratio	> 45 dB, nom 50 dB			
Fibre type (SM / PM)	HI780 or PM850			
Jacket type	HYTREL 900 µm or 3 mm PVC or 3 mm stainless steel			
Fibre connectors	FC/APC or Super FC/PC			
Pigtail length	1 meter (IN/OUT)			
Rise/Fall time	60 ns	20 ns	10 ns	6 ns
Analog modulation BW (-3dB)	8 MHz	24 MHz	48 MHz	80 MHz
Max Input laser power (CW)	0.5 W or 2 W	0.5 W or 2 W	0.5 W	0.2 W
Input impedance	Nom 50Ω			
V.S.W.R.	Nom < 1.2/1			
RF Power / Connector	< 2 W / SMA			
Size / Weight	(LxHx) 89 x 46.6 x 32.5 mm <sup>3</sup> / 250 g IN PRO 334			

$$* F_{-3dB} = \frac{0.48}{T_r}$$



4x FIXING HOLES FOR SCREWS M2.5



B	28/04/16	G.M	Réhausse fibre de 18 à 19.		
A	17/12/14	G.M	Plan initial / Initial plan		
Indice Index	Date	Auteur Author	Modifications		
Conception Design	GM	Désignation / Designation			
Vérification Checking	YN	PLAN D'INTERFACE			
Tolérance Tolerance	ISO 2768mK	Référence / Reference			
Echelle Scale	1:2	Matière / Material		Traitement / Treatment	Finition / Finish
		Format A4	Ce document est la propriété de A.A.SA. Il est strictement interdit de reproduire ce document ou une partie sans l'autorisation de A.A.SA. This document is the property of A.A.SA. It is strictly prohibited to reproduce this document or a part without the authorization of A.A.SA.		
		Folio / Sheet 1/1	Indice / Index B		

A.A. SA OPTO-ELECTRONIC DIVISION  
 18, rue Nicolas Appert  
 F-91898 ORSAY  
 tel : 08 11 09 76 76  
 fax : 01 76 91 50 31