

Product Overview

This fiber pigtailed device is meant to be used for a single wavelength within their range of operation [1850-2100 nm]. It can be used for intensity modulation, fixed or variable frequency shifting, pulse picking or q-switching. In order to meet most requirements, user can select the fiber type, fiber jacket and fiber connectors among the proposed ones.

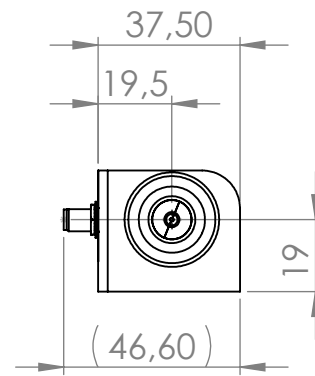
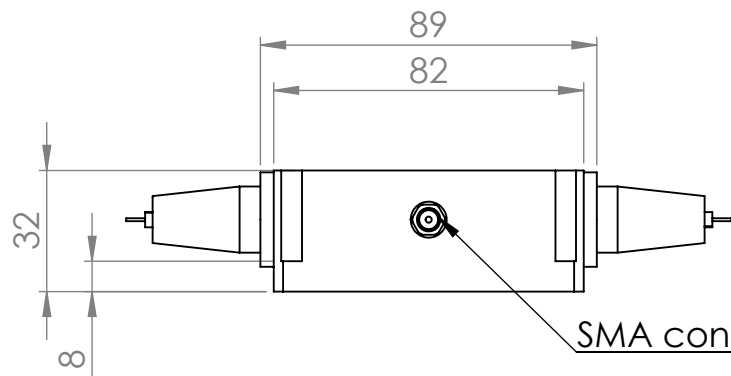
Features

- High speed
- High extinction ratio
- Robust and versatile.

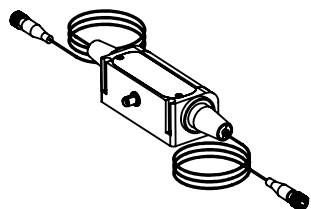
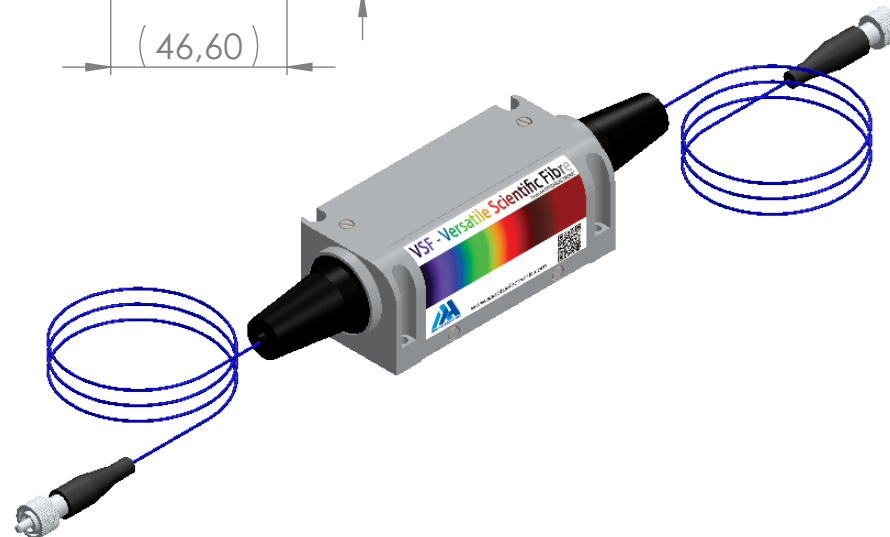
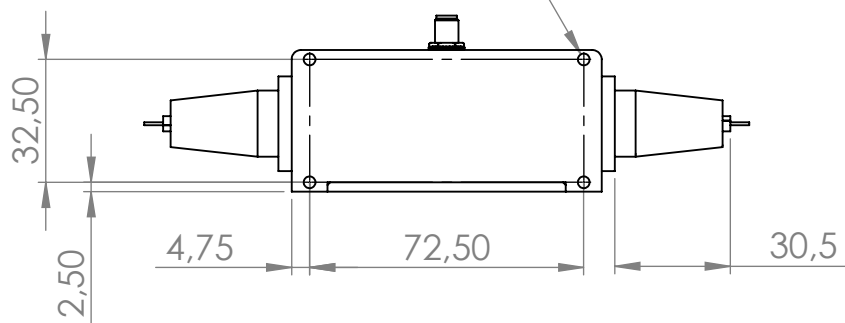



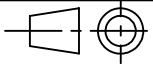
| | Units | Min | Nom | Max |
|--|-----------------|---|-------|----------|
| Material | | TeO ₂ [L] | | |
| Optical Wavelength range (λ) | nm | 1850 | | 2100 |
| Carrier Frequency / Frequency shift | MHz | + 80 or - 80 | | |
| Insertion losses (IL) | dB | | 4 | 6 |
| Input / Output Polarization | | Linear (PM fibers) or Random (SM fibers) | | |
| Rise/Fall time | ns | | 30 | 40 |
| Analog Amplitude modulation bandwidth (F _{-3dB}) | MHz | | | 12 |
| Polarisation Extinction Ratio (PER) | dB | 18 | 20 | |
| Polarisation dependence losses (PDL) | dB | | | 1 |
| Static Extinction Ratio | dB | 45 | 50 | |
| Optical power CW | W | | | 0.5 or 5 |
| Jacket type | | 900 μm Hytrel tubing or 3mm PVC or 3 mm Stainless Steel | | |
| Fiber type | | PM 1950 or SM1950 | | |
| Fiber connectors | | FC/APC or Super FC/PC | | |
| Pigtailed length IN/OUT | m | 1 | | |
| Input impedance | Ω | | 50 | |
| V.S.W.R | | | 1.2/1 | |
| RF Power (P) | W | | | 2.5 |
| RF Connector | | SMA | | |
| Size | mm ³ | 89 x 46.6 x 32.5 | | |
| Weight | g | | 250 | |
| Packaging | | IN PRO 334 | | |
| RoHS Compliance | | Yes | | |

$$* F_{-3dB} = \frac{0.48}{T_r}$$



4x FIXING HOLES FOR SCREWS M2.5



| | | | | | |
|---|------------|---------------------------|-----------------------------|--|----------------|
| B | 28/04/16 | G.M | Réhausse fibre de 18 à 19. | | |
| A | 17/12/14 | G.M | Plan initial / Initial plan | | |
| Indice Index | Date | Auteur Author | Modifications | | |
| Conception Design | GM | Désignation / Designation | |  | |
| Vérification Checking | YN | PLAN D'INTERFACE | | | |
| Tolérance Tolerance | ISO 2768mK | Référence / Reference | | | |
| Echelle Scale | 1:2 | IN-PRO-334 | | A.A. SA OPTO-ELECTRONIC DIVISION 18, rue Nicolas Appert F-91898 ORSAY tel : 08 11 09 76 76 fax : 01 76 91 50 31 | |
| Format | A4 | Matière / Material | | Traitement / Treatment | |
|  | | Finition / Finish | | Ce document est la propriété de A.A.SA. Il est strictement interdit de reproduire ce document ou une partie sans l'autorisation de A.A.SA. This document is the property of A.A.SA. It is strictly prohibited to reproduce this document or a part without the authorization of A.A.SA. | |
| | | | Folio / Sheet | | Indice / Index |
| | | | 1/1 | | B |