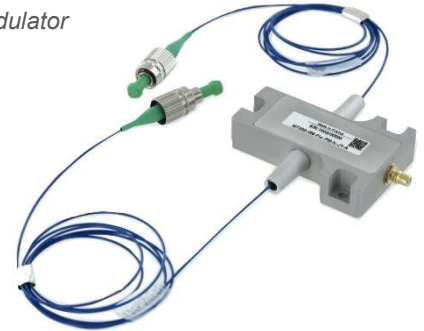


Product Overview

This compact fiber pigtailed devices is meant for a single-wavelength operation in [1030-1064] nm. It can be used as intensity modulator, fixed frequency shifter and also as pulse picker. Its compactness, reliability and high performance will make this modulator a good candidate for most industrial applications.

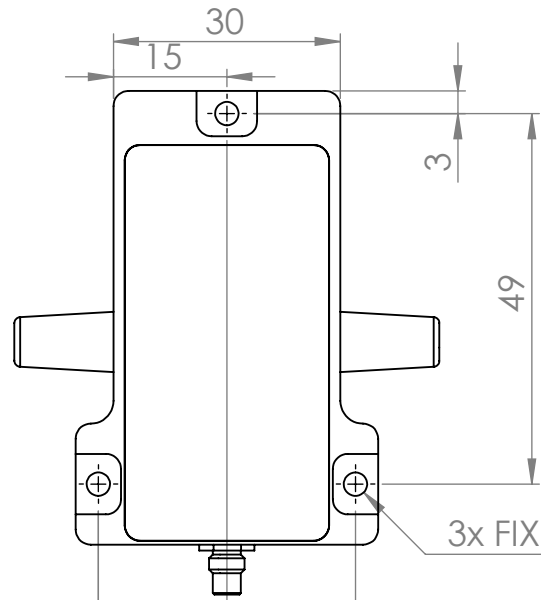
Features

- PLMA10 fibers
- High speed
- Low insertion losses
- High reliability
- High extinction ratio
- Compact design

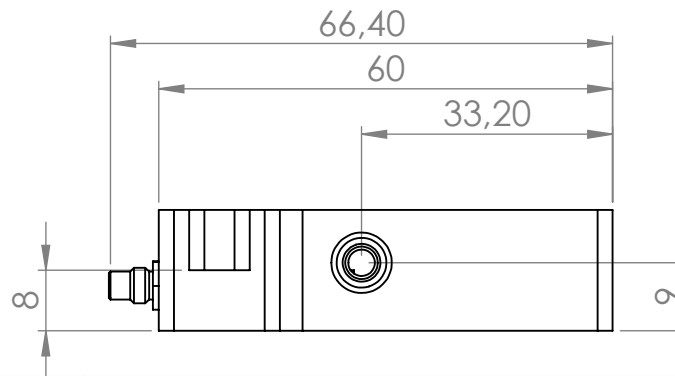
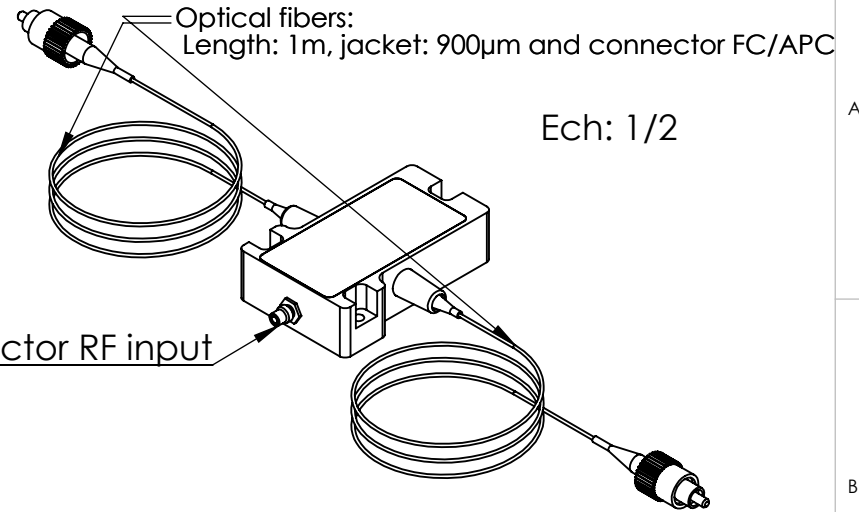
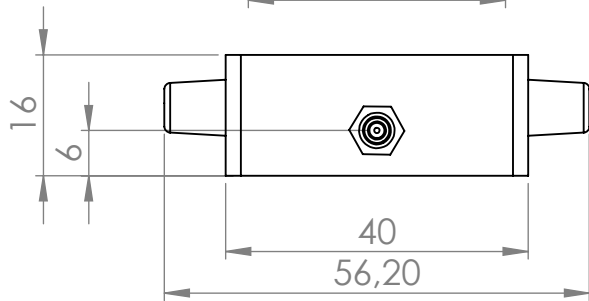



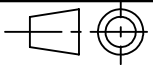
	Units	Min	Nom	Max
Material		TeO2 [L]		
Optical Wavelength range (λ)	nm	1030		1064
Carrier Frequency / Frequency shift	MHz	+ 200		
Insertion losses (IL)	dB			3
Input / Output Polarization		Linear / Linear		
Rise/Fall time	ns		10	
Analog Amplitude modulation bandwidth -3 dB	MHz			48
Polarisation Extinction Ratio (PER)	dB	18	20	
Polarisation dependence losses (PDL)	dB			0.6
Static Extinction Ratio	dB	45	50	
Optical power CW	W			1
Fiber Type		PLMA10 (10/125) Fiber (PM1060L or FUD-3460)		
Jacket type		900 μ m Hytrel tubing		
Fiber connectors		FC/APC		
Pigtailed length IN/OUT	m	1		
Input impedance	Ω		50	
V.S.W.R			1.2/1	
RF Power (P)	W			2.2
RF Connector		SMC		
Size	mm ³	60 x 40 x 16 (without connectors)		
Weight	g		60	
Packaging		IN PRO 330		
RoHS Compliance		Yes		

$$* F_{-3dB} = \frac{0.48}{T_r}$$



3x FIXING HOLES FOR SCREWS M2.5



A	03/02/14	G.M	Plan initial / Initial plan		
Indice Index	Date	Auteur Author	Modifications		
Conception Design	GM	Désignation / Designation			
Vérification Checking	FLF	PLAN D'INTERFACE			
Tolérance Tolerance	ISO 2768mK	Référence / Reference			
Echelle Scale	1:1	Matière / Material		Traitement / Treatment	Finition / Finish
		Format A4	Ce document est la propriété de A.A.SA. Il est strictement interdit de reproduire ce document ou une partie sans l'autorisation de A.A.SA. This document is the property of A.A.SA. It is strictly prohibited to reproduce this document or a part without the authorization of A.A.SA.		
			Folio / Sheet 1/1	Indice / Index A	

A.A. SA OPTO-ELECTRONIQUE DIVISION
 18, rue Nicolas Appert
 F-91898 ORSAY
 tel : 08 11 09 76 76
 fax : 01 76 91 50 31