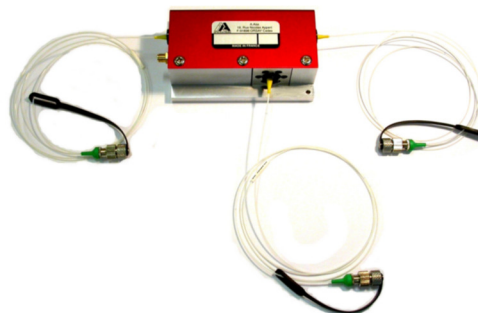


Product Overview

This fiber pigtailed device is meant to be used for a single wavelength within the range of operation [1300-1600 nm]. It offers fiber pigtailed for both the diffracted and undiffracted order. It can be used for intensity modulation, fixed or variable frequency shifting, pulse picking or Q-switching. In order to meet most requirements, user can select the fiber type, fiber jacket and fiber connectors among the proposed ones.

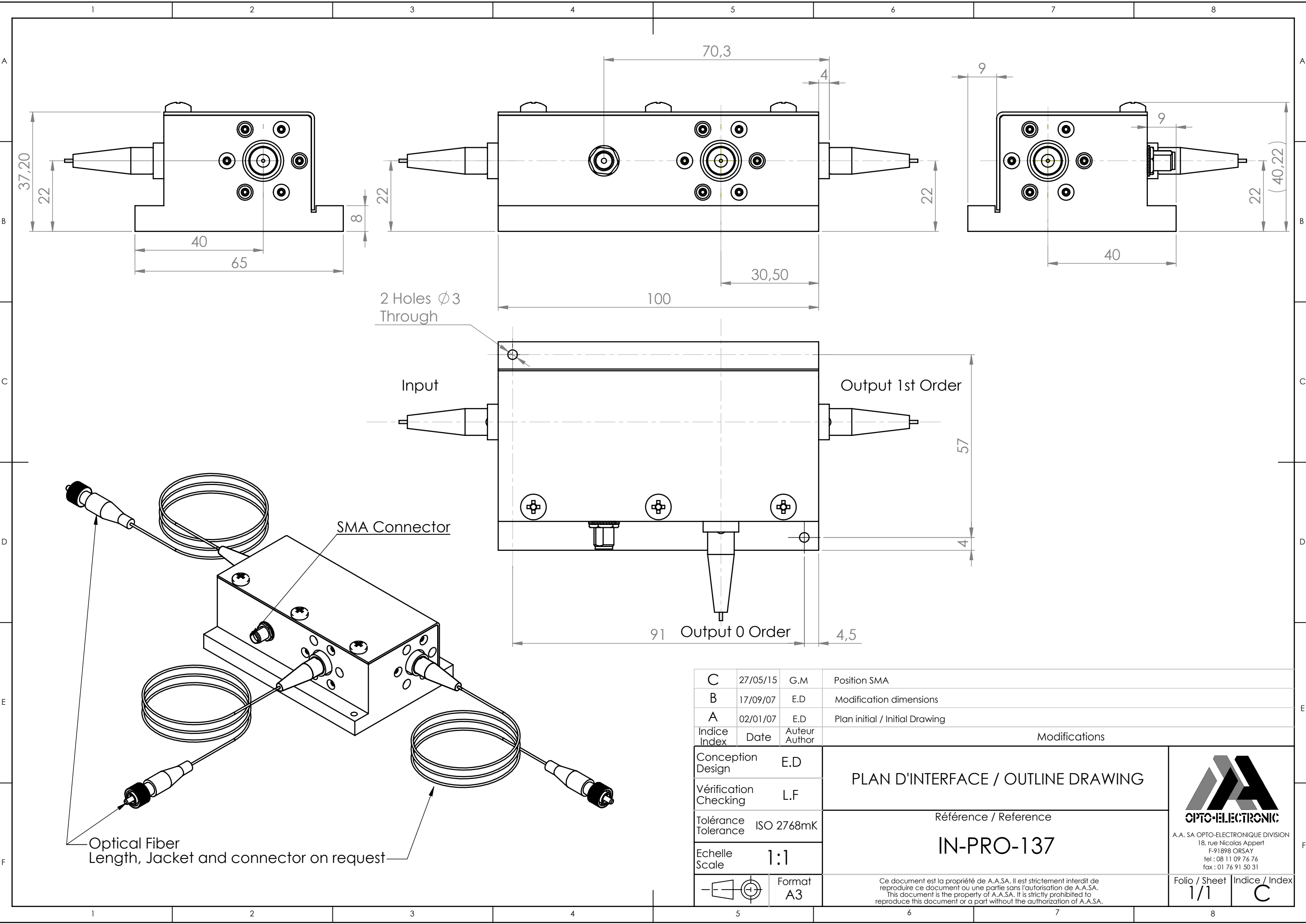
Features

- High speed.
- Diffracted and undiffracted order fiber pigtailed.
- High extinction ratio.
- High optical power handling.
- Robust and versatile.



		Units	Min	Nom	Max
Material			TeO ₂ [L]		
Optical Wavelength range (λ)		nm	1300		1600
Carrier Frequency / Frequency shift		MHz	+110 or - 110		
Insertion losses (IL)	Diffracted Order	dB		3	4
	Undiffracted Order			2	2.5
Input / Output Polarization			Linear (PM fibers) or Random (SM fibers)		
Rise/Fall time(T _r)		ns			25
Analog Amplitude modulation bandwidth (F _{-3dB})		MHz			19
Polarisation dependence losses (PDL)		dB			0.5
Static Extinction Ratio	Diffracted Order	dB	45	50	
	Undiffracted Order		10		
Optical power CW		W			0.5 or 5
Jacket type			900 μm Hytrel tubing or 3mm PVC or 3 mm Stainless Steel		
Fiber type			SMF 28 or PM 1550		
Fiber connectors			FC/APC or Super FC/PC		
Pigtailed length IN/OUT		m	1		
Input impedance		Ω		50	
V.S.W.R				1.2/1	
RF Power (P)		W			2.5
RF Connector			SMA		
Size		mm ³	100 x 65 x 39		
Weight		g		300	
Packaging			IN PRO 137		
RoHS Compliance			Yes		

$$* F_{-3dB} = \frac{0.48}{T_r}$$



2 Holes Ø3 Through


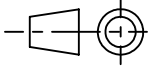
Input

Output 1st Order

SMA Connector

91 Output 0 Order

Optical Fiber Length, Jacket and connector on request

Indice / Index	Date	Auteur / Author	Modifications	
C	27/05/15	G.M	Position SMA	
B	17/09/07	E.D	Modification dimensions	
A	02/01/07	E.D	Plan initial / Initial Drawing	
Conception / Design			E.D	PLAN D'INTERFACE / OUTLINE DRAWING
Vérification / Checking			L.F	
Tolérance / Tolerance			ISO 2768mK	Référence / Reference
Echelle / Scale			1:1	IN-PRO-137
Format			A3	 A.A. SA OPTO-ELECTRONIQUE DIVISION 18, rue Nicolas Appert F-91898 ORSAY tel : 08 11 09 76 76 fax : 01 76 91 50 31
				
				Indice / Index
				1/1 C

Ce document est la propriété de A.A.S.A. Il est strictement interdit de reproduire ce document ou une partie sans l'autorisation de A.A.S.A.
This document is the property of A.A.S.A. It is strictly prohibited to reproduce this document or a part without the authorization of A.A.S.A.